

Connections

The GeoSwitch has 16 screw terminals which allow for connection of power, serial connection, clear switch and three relays.

Connector	Pin	Name	Comment
J201	1	+9-28 VDC	Power line for external power supply
	2	GND	Ground line for external power supply
	3	TXD/A	TXD line of RS232 interface or A line of RS485 interface (MODBUS)
	4	RXD/B	RXD line of RS232 interface or B line of RS485 interface (MODBUS)
	5	GND	Ground line for RS232 or RS485 interface (MODBUS)
	6	CLR_SW	Clear Switch input
	7	GND	Ground line for Clear Switch input
	8	K1_NC	Normally closed contact of relay 1
	9	K1_CMN	Common contact of relay 1
	10	K1_NO	Normally opened contact of relay 1
	11	K2_NC	Normally closed contact of relay 2
	12	K2_CMN	Common contact of relay 2
	13	K2_NO	Normally opened contact of relay 2
	14	K3_NC	Normally closed contact of relay 3
	15	K3_CMN	Common contact of relay 3
	16	K3_NO	Normally opened contact of relay 3

For the pin colour code of the supplied GeoSwitch cable please refer to Appendix D and E in the user manual or check the GeoSwitch Cable drawing supplied with the product.

Further reading

For further reading on operation and correct use of the instrument, please refer to the user manual and datasheet which are available from the GeoSIG Ltd website: www.geosig.com



GeoSwitch Quick User Manual



Foreword

Thank you for buying this GeoSIG Ltd GeoSwitch. This manual is provided as a brief guideline to give an overview of the first steps and it is not intended to cover all the different circumstances. Please check the GeoSwitch User Manual for details.

Unpacking

The GeoSwitch is shipped in a standard packing box containing GeoSwitch and Quick User Manual. Specially ordered accessories may be included in the box or shipped in a separate box. The packing box must be inspected for any external damage and any damage should be immediately reported to the forwarder.

The contents of the packing box can be checked according to the order and the packing list. Verify that none of the items have physical damage. Keep the packing box for transportation to the final location of the instrument.

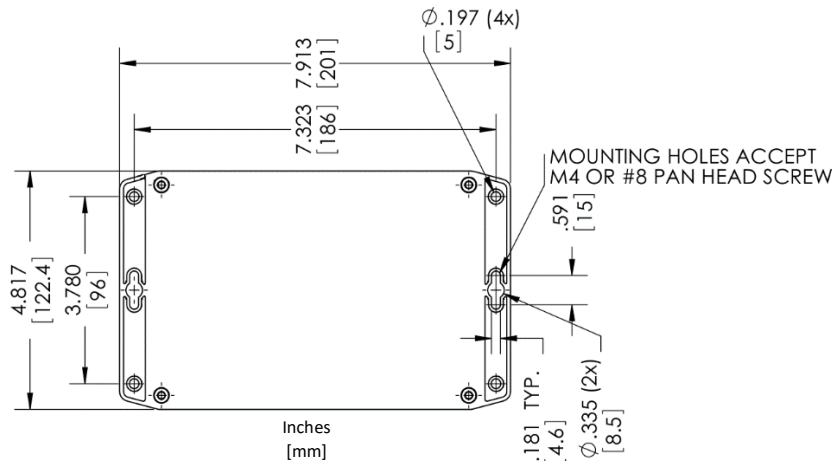
Indicators

The LED's on the front panel signal the following conditions:

- **POWER** Flashes when GeoSwitch is running.
- **ERROR** Illuminates to indicate an error condition.
- **WARNING** Illuminates to indicate a warning condition.
- **ALARM** Illuminates to indicate an active alarm

Installation

The unit must be fixed rigidly on the foundation. For that purpose, the housing has mounting flanges for fixation, where two or four M4 screws with washers should be used. The GeoSwitch contains an internal offset correction. Therefore the instrument can be installed on the floor, wall or any other oriented surface without any limitations.



Configuration

The GeoSwitch can be configured in several ways:

- Using the free GeoSwitch Configurator™ tool (Windows and OS X)
- Via the console, using a USB cable and serial terminal program
- Via display and push buttons

Connect

To connect to the GeoSwitch using GeoSwitch Configurator™:

- Power the GeoSwitch and connect a USB cable between the GeoSwitch and a computer running GeoSwitch Configurator™.
- Open the GeoSwitch Configurator™ and click on the “disconnected” button **Disconnected** to open the connection dialog.
- Select the correct COM port and choose a baud rate of 115200 and click OK.
- The GeoSwitch is now connected, and parameters can be changed from GeoSwitch Configurator™.

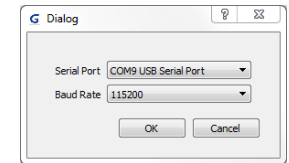


Figure 1. Connection dialog.

To connect to the GeoSwitch using a serial terminal program:

- Power the GeoSwitch and connect a USB cable between the GeoSwitch and a computer.
- Start your serial terminal program and connect to the correct COM port using baud rate 115200 with 8N1.
- Press “return” and you should see `ch>` printed on the terminal.
- Type `help` or refer to user manual for full overview of commands.

To configure the GeoSwitch using the LCD and push buttons:

- Press the “enter” push button to bring up the main menu on the LCD.
- Navigate the menus using the “up” and “down” push buttons.
- Use the “enter” push button to enter sub menus, select parameters and confirm settings.

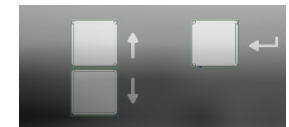


Figure 2. Navigation push buttons.