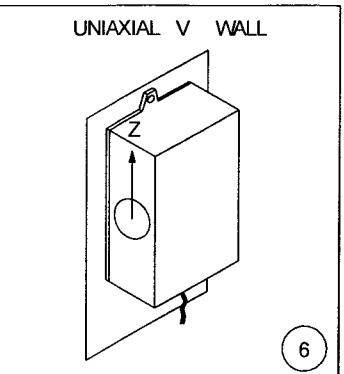
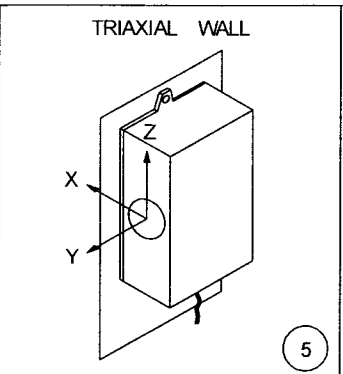
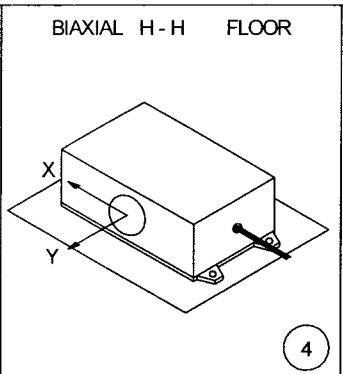
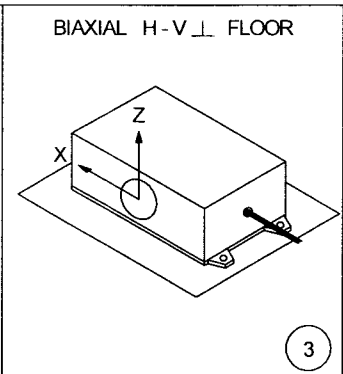
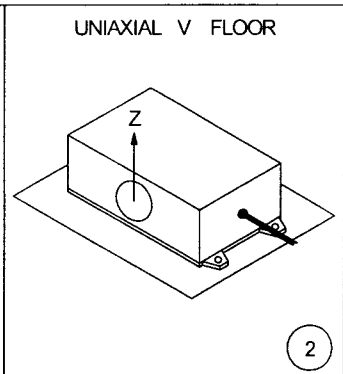
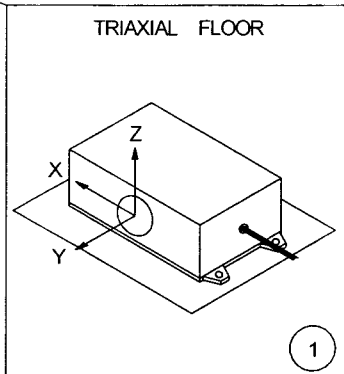


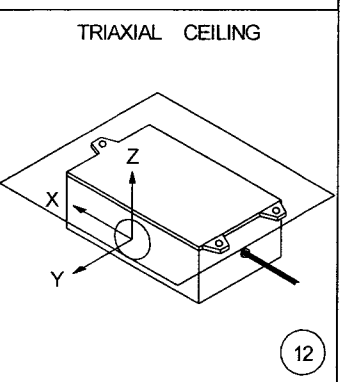
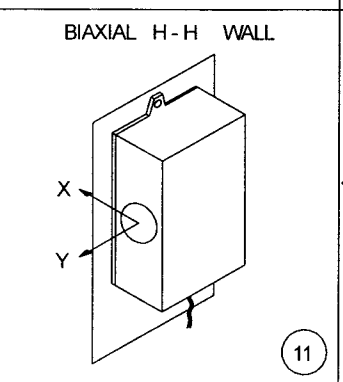
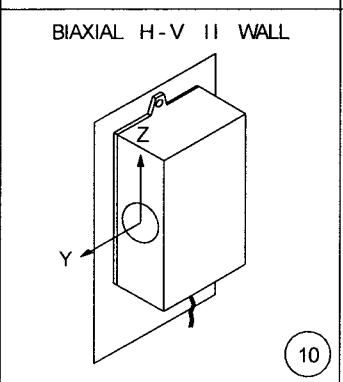
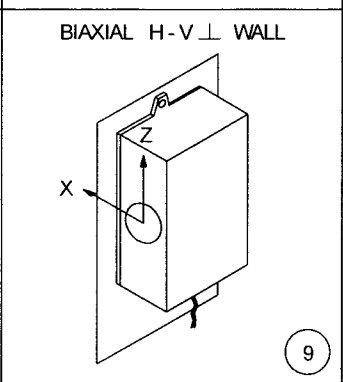
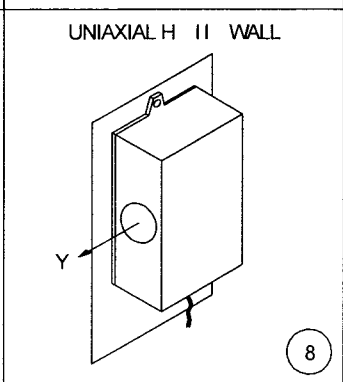
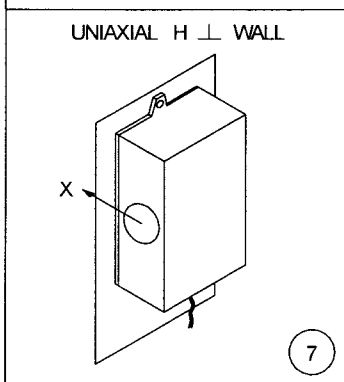
A

A



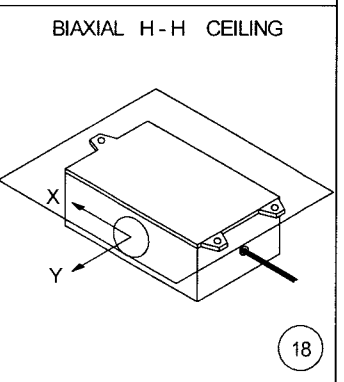
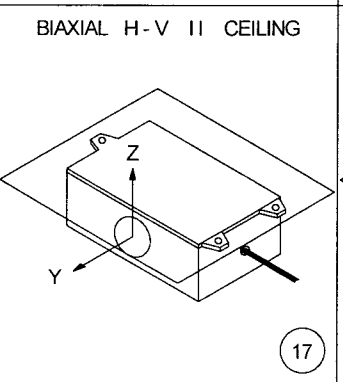
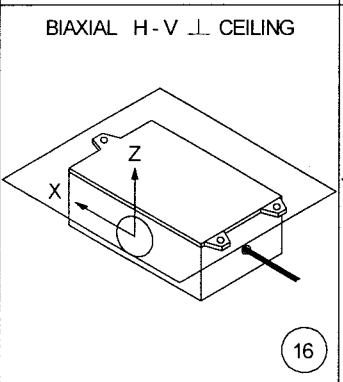
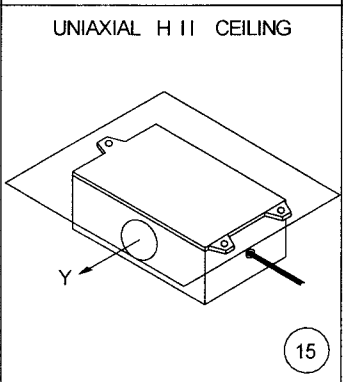
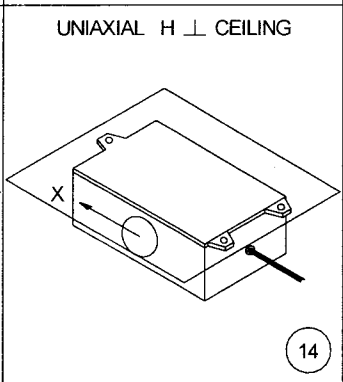
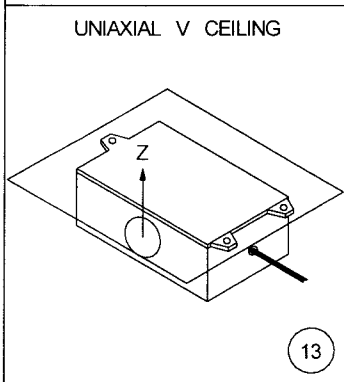
B

B



C

C



D

D

NOTES :
 WALL MOUNTED : CONNECTORS ALWAYS TOWARDS FLOOR
 FLOOR AND CEILING MOUNTED : CONNECTORS ALWAYS ON X - SIDE

Size: A4	Scale:	File: Sensor_orientation.skf	Date: 09.04.2003	GeoSIG
Version: 0	Unit: mm	Remark:	Drawn by: MS	
Project : GS Sensor			Checked by: LG	
Title : Sensor Orientation			Approved by: JG	
				Page: 1 of 1

E

E