

AC-43 / AC-42 / AC-41 Force Balance Accelerometer

Features

- Full Scale: ± 2 g (± 0.625 , 1, 4, 5 g optional)
- Bandwidth DC to 100 Hz
- MEMS Force Balance Accelerometer
- High accelerations measurement
- High shock survivability
- Large temperature range
- High lifetime stability
- Cost effective sensor
- Low power consumption
- Simple test and calibration
- Single Bolt Mounted Enclosure provides up to $\pm 10^\circ$ of Leveling Adjustment



Outline

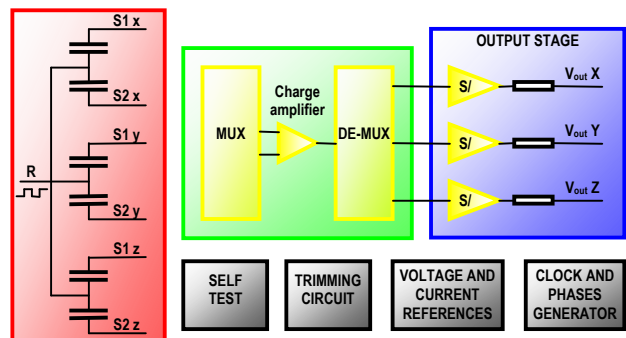
The AC-43 sensor package is a triaxial accelerometer designed for urban and industrial applications regarding strong motion earthquake survey and vibration monitoring as well as alarm and switch systems.

All these applications require rugged sensors with minimum maintenance and a simple method for periodic testing.

The AC-43 accelerometer is based on the modern MEMS (Micro Electro-Mechanical Systems) technology, consisting of sensing cells assembled in a way that optimizes their performances. This combined with the state of the art proprietary circuit design yields this cost effective and reliable accelerometer.

MEMS cells include linear accelerometer sensing elements which measure the capacitance variation in response to any movement or inclination and a factory trimmed interface chip that converts the capacitance variations into analog or digital signal proportional to the motion.

The DC response allows the sensor to be easily repaired, tilt tested or recalibrated in the field. With the help of the TEST LINE the AC-43 accelerometer can be completely tested assuring proper operation.



The AC-43 is typically housed in the standard GeoSIG sealed cast aluminium housing with dimensions of 195 x 112 x 96 mm. The housing also incorporates a single bolt mount with three levelling screws. Stainless steel packaging options are available.

The AC-4x accelerometer is directly compatible with the GeoSIG recorders. It is also designed to be mounted internally in standard GeoSIG recorders.



Specifications AC-43 / AC-42 / AC-41 Force Balance Accelerometer

General Characteristics

Application: - Strong-Motion earthquake recording
 - Vibration monitoring
 - Alarm / Switch systems

Configurations:

AC-43 or AC-43i*:

AC-42-H or AC-42-Hi*:

AC-42-V or AC-42-Vi*:

AC-41-H or AC-41-Hi*:

AC-41-V or AC-41-Vi*:

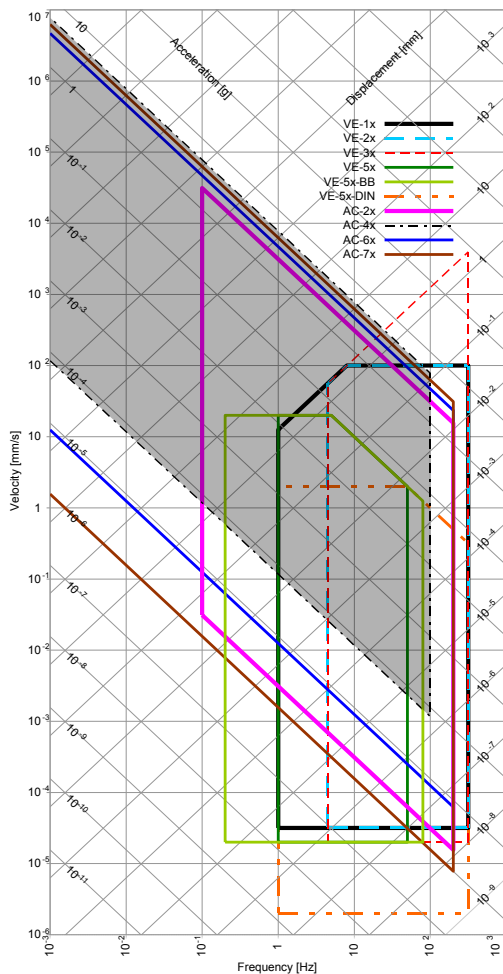
	Triaxial	Biaxial	Uniaxial	Axes	Alignment**
■				X - Y - Z	H - H - V
		■		X - Y	H - H
			■	X (or Y) - Z	H - V
			■	X (or Y)	H
			■	Z	V

* i : Internal sensor ** H: Horizontal, V: Vertical

Full Scale Range: ± 2 g Std
 Optional $\pm 0.625, \pm 1, \pm 4$ or ± 5 g

Sensor Element

Type: MEMS Force Balance Accelerometer
 Dynamic Range: >95 dB
 Noise: < 60 μg_{RMS}
 Nonlinearity: < 0.3 % typ., < 0.6 % for vertical
 Cross Axis Sensitivity: < 2 % typ.
 Bandwidth: DC to 100 Hz
 Span drift: 100 ppm/°C
 Offset Drift: ± 0.8 mg / °C
 Full Scale Output: 0 ± 10 V differential (20 Vpp)
 optional 2.5 ± 2.5 V single-end (5 Vpp)
 0 to 20 mA current loop
 Measuring Range: See plot



Power

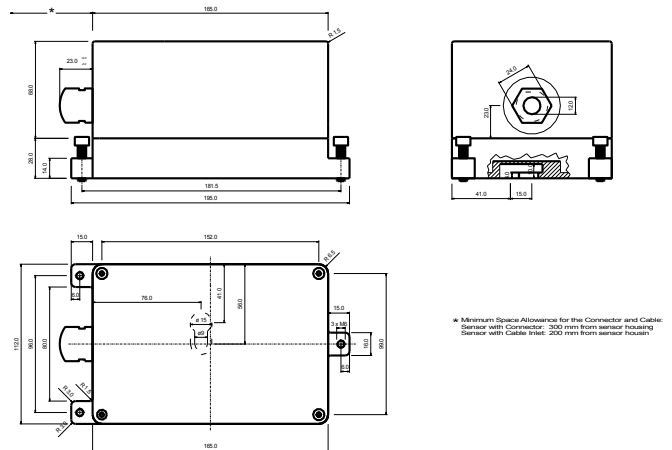
Supply Voltage: 7 to 15 VDC, single supply
 optional, 7 to 30 VDC
 Consumption: 9 mA @12 VDC
 Connector: Metallic, Shielded, IP67, 12 pins, male
 optional MIL, Bendix PT07A 14-19P
 Binder / Coninvers type RC
 All pins are protected
 Mating:
 Overvoltage Protection: All pins are protected

Connector Pin Configuration

Pin 1-6: Signal output for axis X, Y, Z
 Pin 7,8: Test Input
 Pin 9-10: + 12 VDC power supply
 Pin 11-12: Not used
 Case: Shielded Ground

Environment/Housing

Housing Type: Cast aluminium
 Sealed access cover
 Housing Size: 195 x 112 x 96 mm
 Weight: 2.0 kg
 Index of Protection: IP 65
 optional IP68
 Temperature Range: - 40 to 85 °C (operating)
 - 40 to 85 °C (non-operating)
 Humidity: 0 to 100 % (non-condensing)
 Orientation: Can be configured for mounting in any position.
 Mounting: Single bolt, surface mount, adjustable within $\pm 10^\circ$



Standard AC-4x

Floor mounted, Full scale ± 2 g,
 2 m cable with cable inlet and recorder
 mating connector, concrete anchor bolt
 and user manual on CD

Options

Cable & connector: Cable connector
 Metallic, Shielded, IP67, 12 pins, male
 optional MIL, Bendix PT07A 14-19P
 Cable with shielded twisted pairs for any
 length (including mating sensor
 connector) with open end
 Cables for connection to GeoSIG
 recorder
 Connector on user specification mounted
 at cable end
 Housing: Watertight IP 68 housing
 Downhole housing (AC-4x-DH)
 Stainless steel protective housing
 As internal sensor
 Mounting: Wall mounted